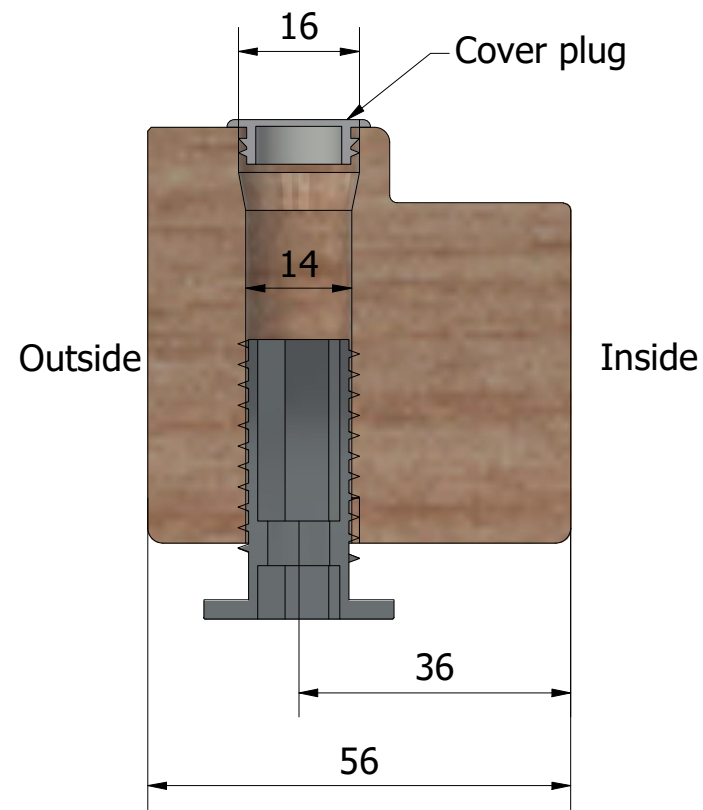
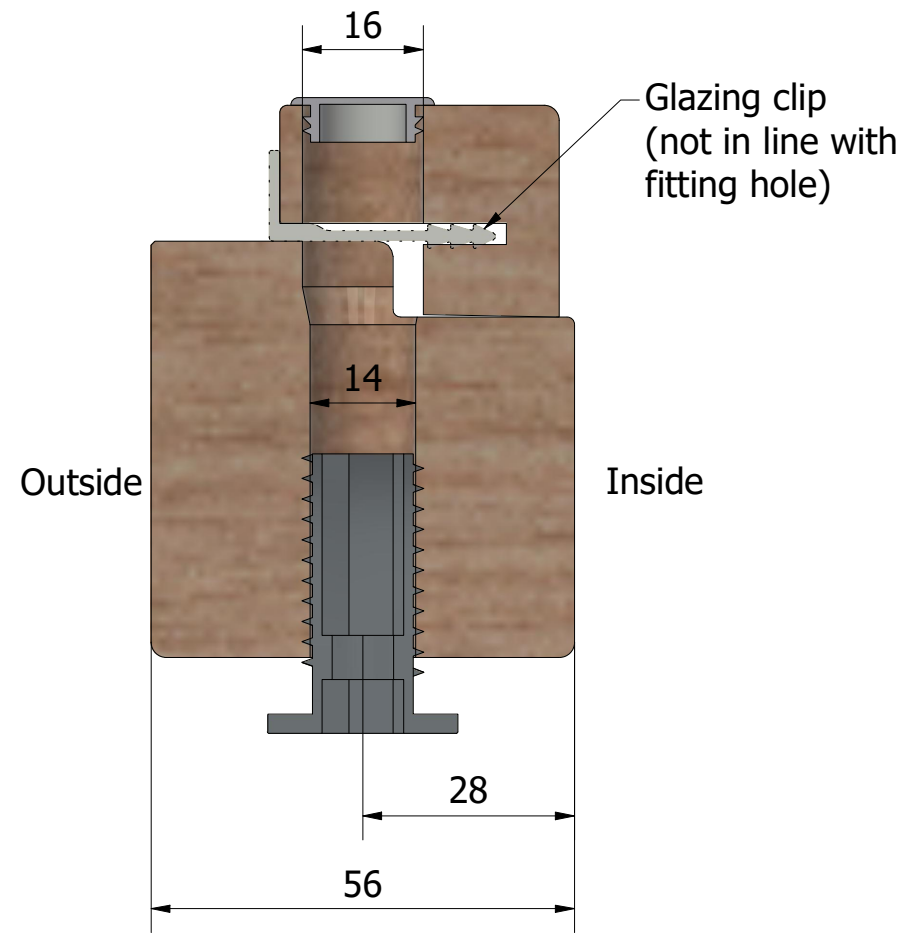


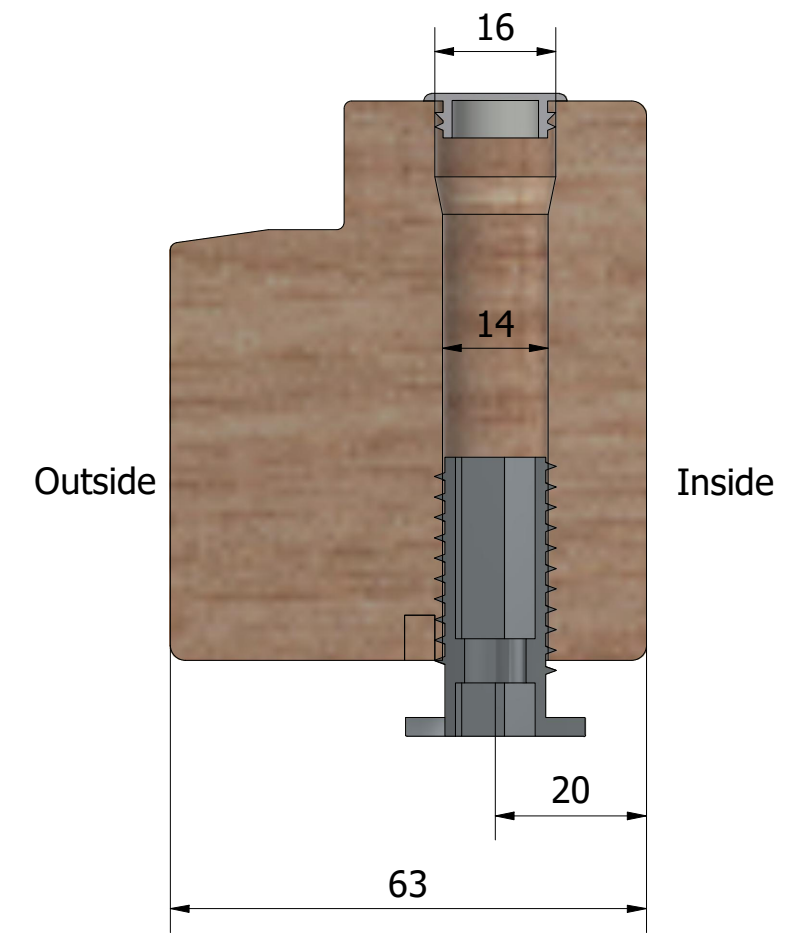
Opening windows (1 : 1)



Fixed frame LFI (1 : 1)

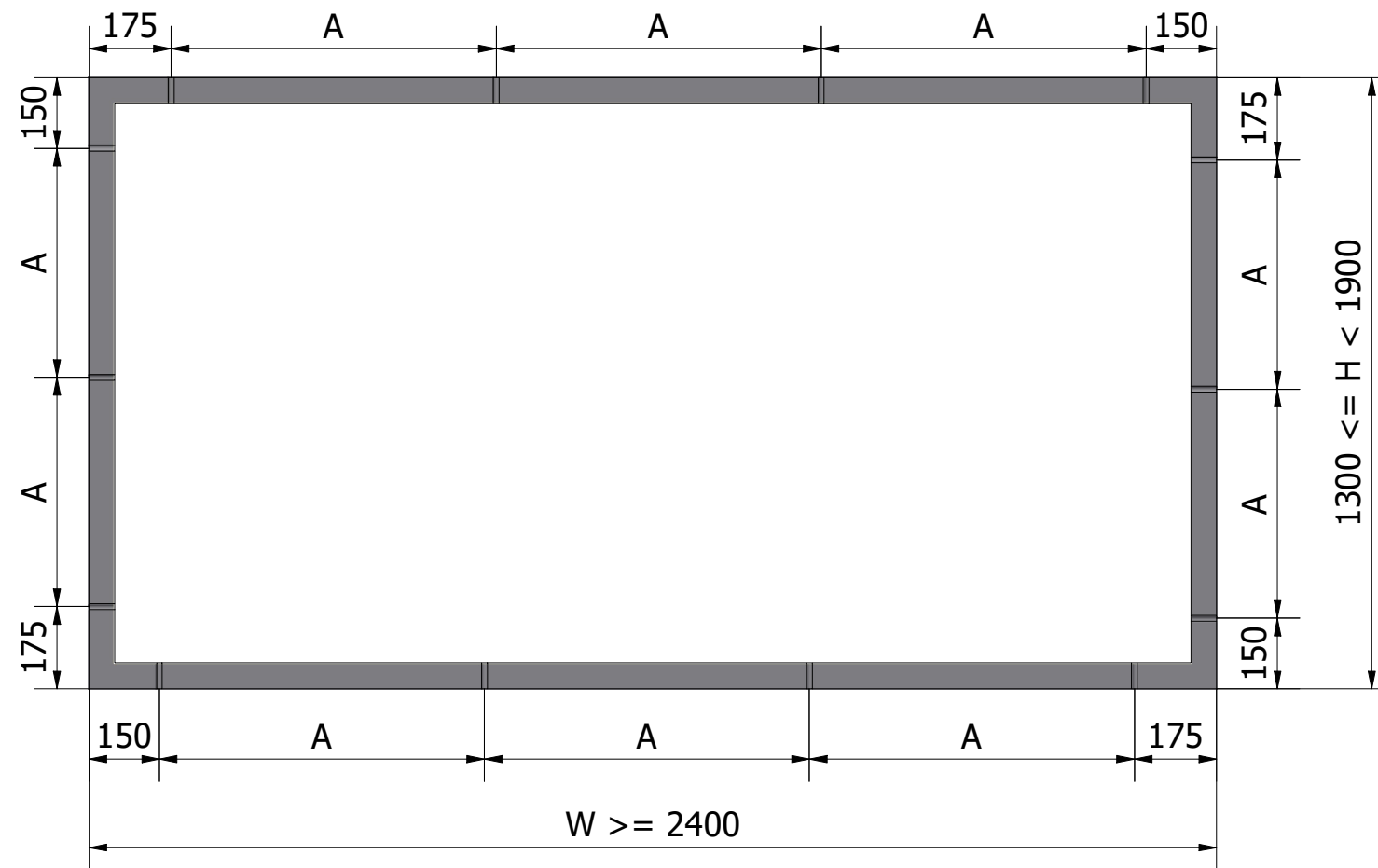
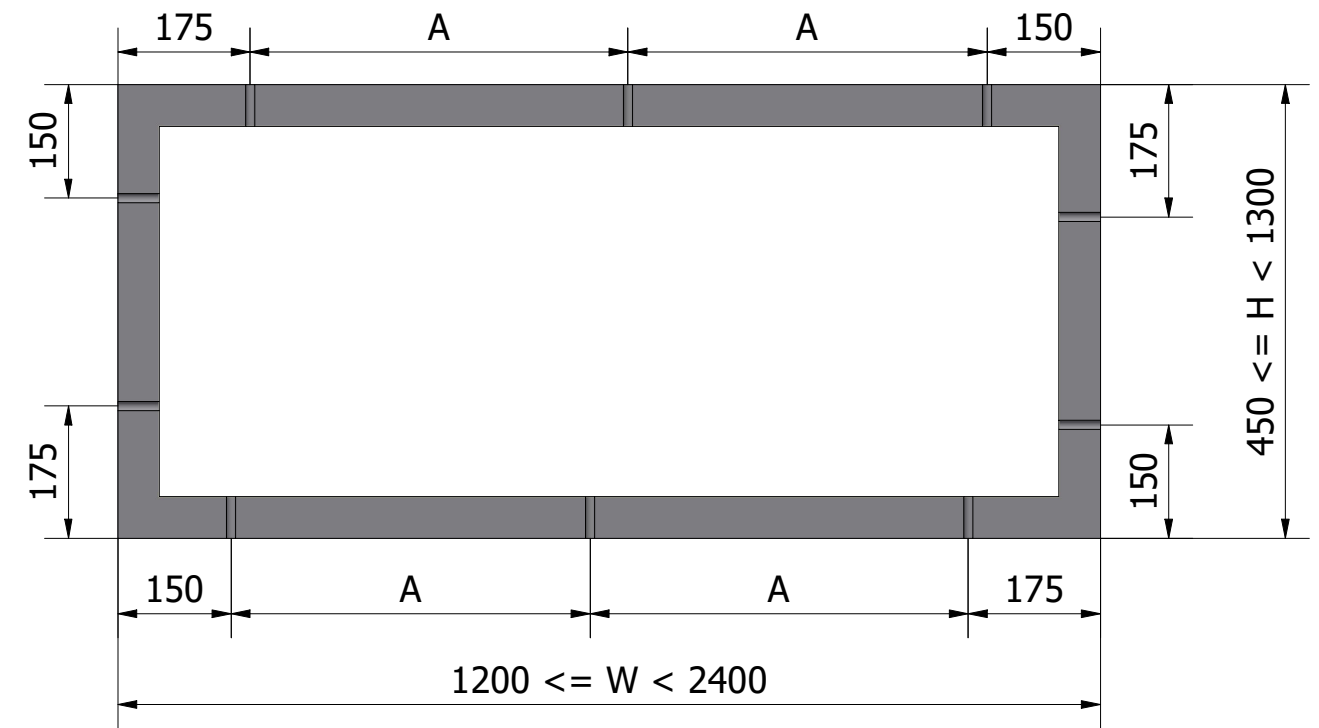
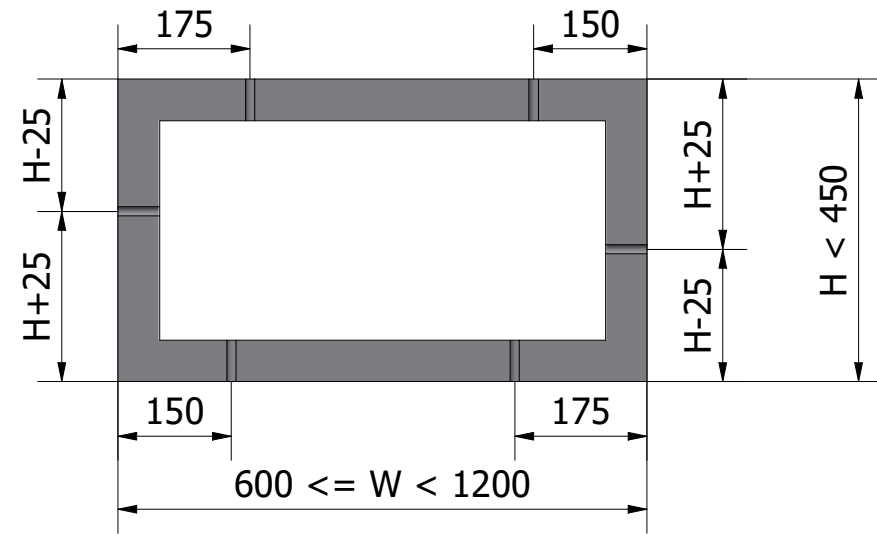


Fixed frame LFU (1 : 1)



Dimensions from the inside are constant regardless of aluminium profile (Stil, Haga, Epok or Royal)

Revision no.		Revision description		
General tolerances		Product name		Created by
ISO 2768-1, m				ThomasN
Creation date		2022-06-03		
Sheet size	Scale	Page	Description	
A3	1 : 10	1	Fitting holes in windows and fixed frames	
File name		Drawing no.		
MP-INFAST22_222.dwg		MP-INFAST22_221		

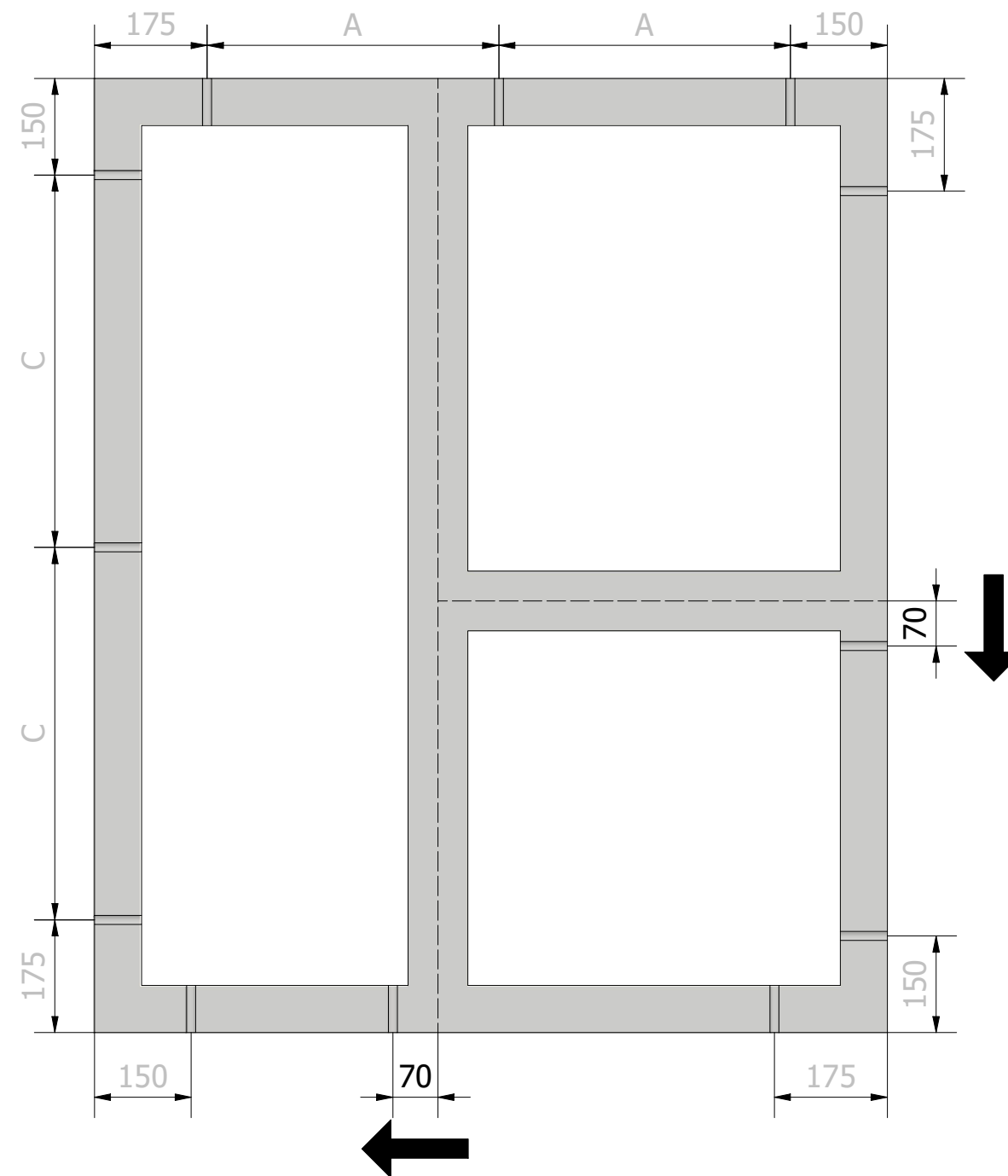


Revision no.	Revision description		
General tolerances ISO 2768-1, m		Product name	Created by ThomasN
Sheet size A3	Scale 1 : 10	Page 2	Creation date 2022-06-03
Description Placement of fitting holes around window frames		File name MP-INFAST22_222.dwg	Drawing no. MP-INFAST22_221

If a fitting hole is closer than 70 mm from the centre of a post, then the hole is moved clockwise around the frame to 70 mm from the centre of the post.

This applies to both bottom/top and side pieces.

If a fitting hole collides with a trickle vent slot or other frame features it can be moved farther or be omitted entirely.



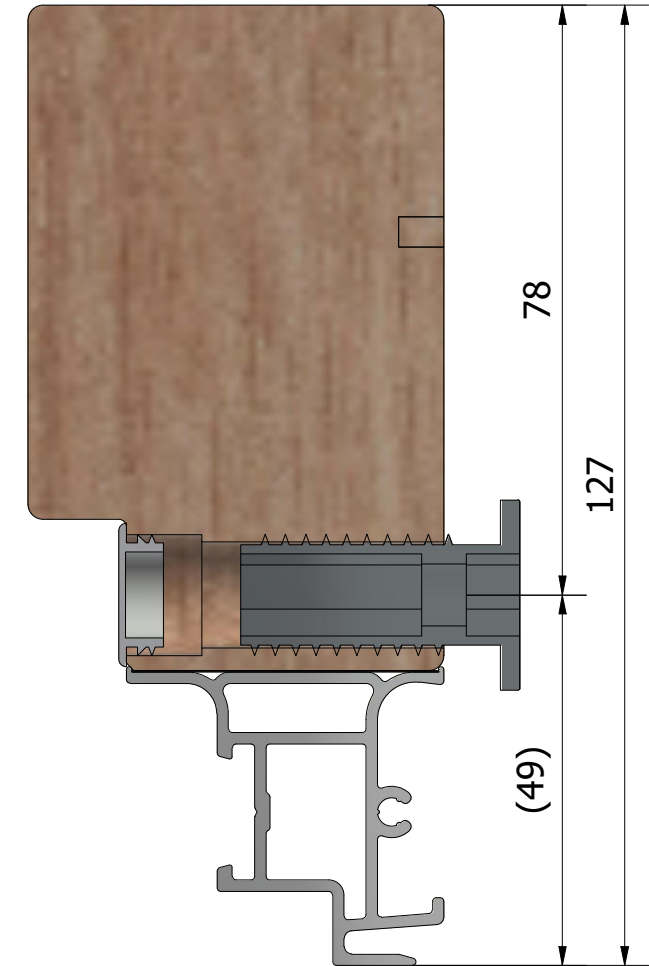
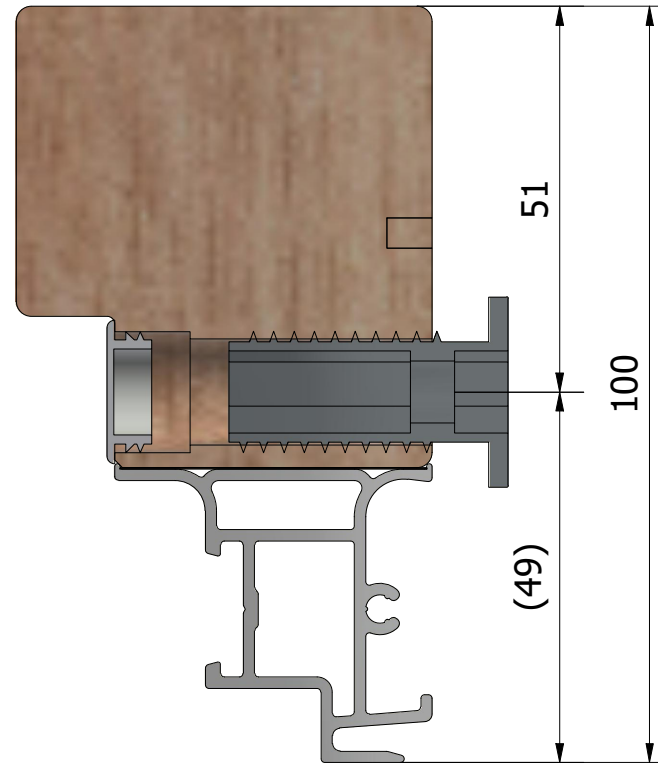
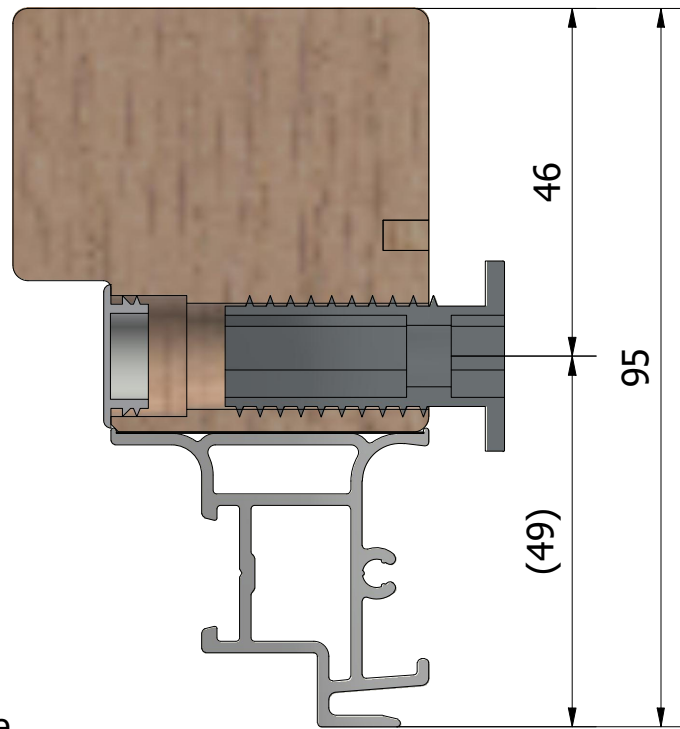
Revision no.	Revision description			
General tolerances ISO 2768-1, m		Product name	Created by ThomasN	Creation date 2022-06-03
Sheet size A3	Scale 1 : 10	Page 3	Description Fitting holes in windows with multiple lights	
LEIAB		View placement 	File name MP-INFAST22_222.dwg	Drawing no. MP-INFAST22_221

LUD 127/128-frame (Epok/Royal)
(1 : 1)

LUD 95-frame (Stil)
(1 : 1)

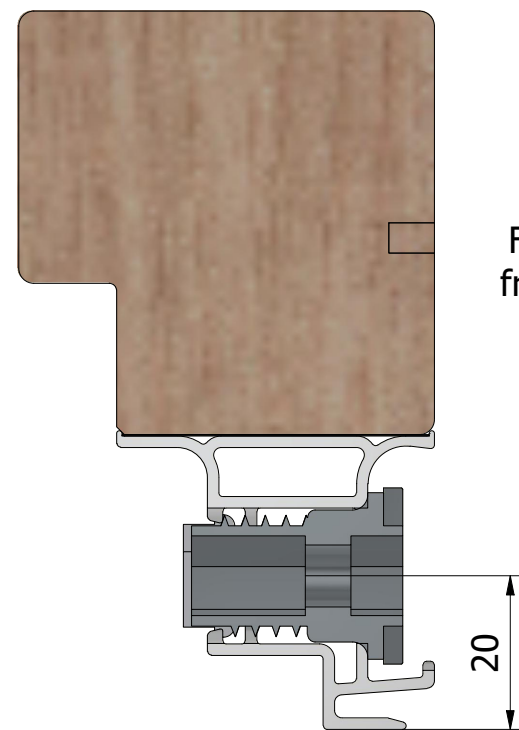
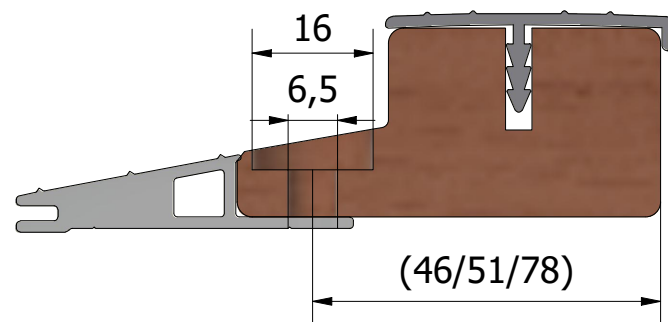
LUD 100-frame (Haga)
(1 : 1)

Inside



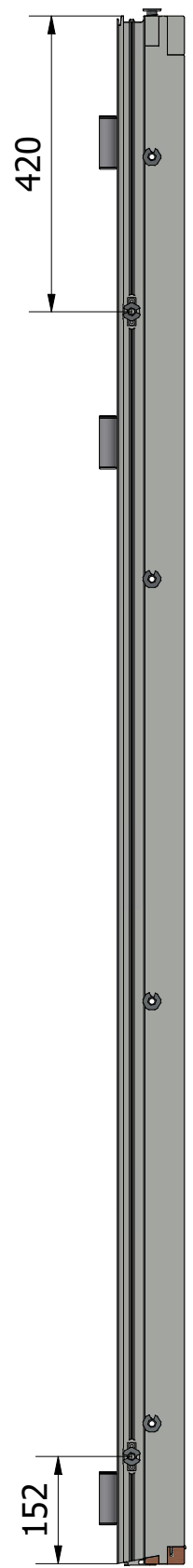
Outside

Fitting hole 16/6,5
in threshold if width exceeds 1200 mm
(1 : 1)



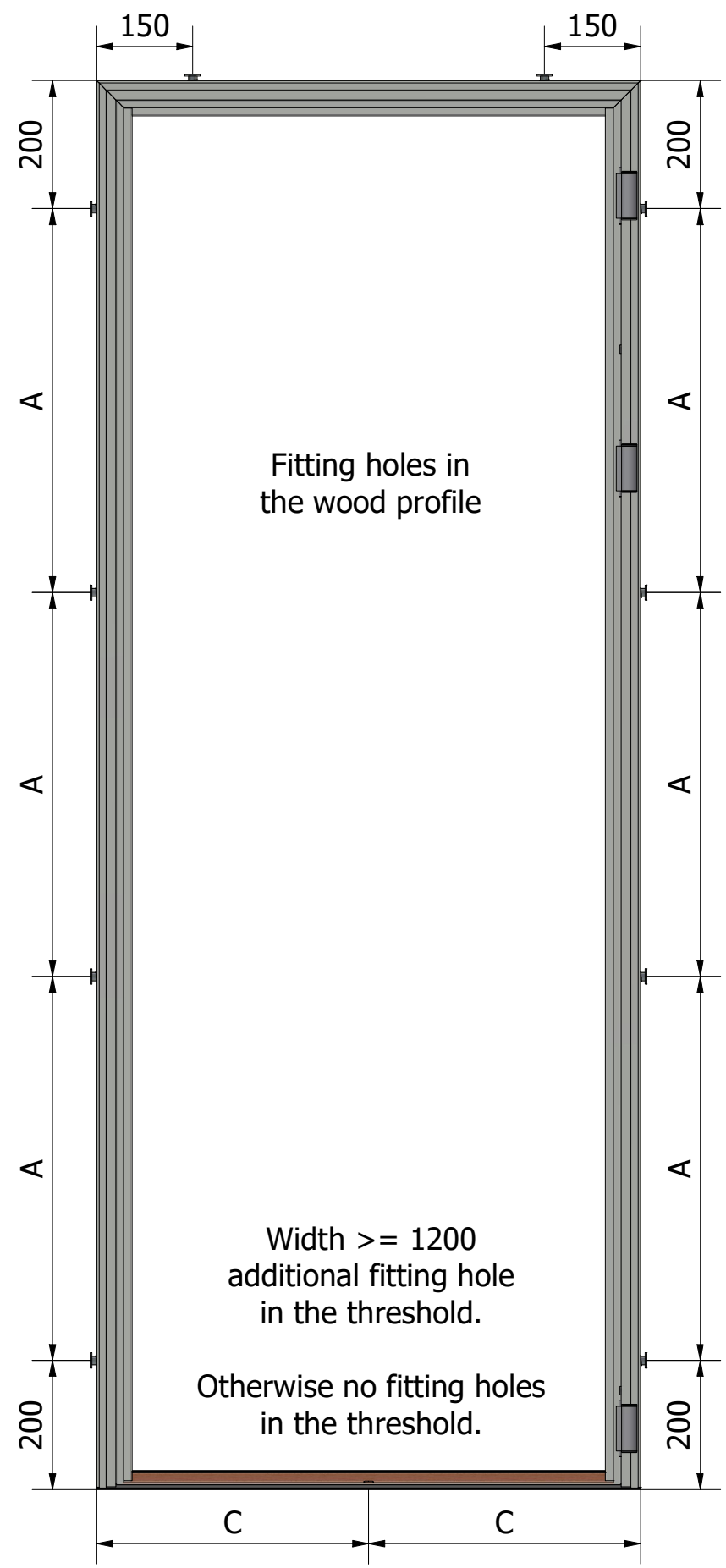
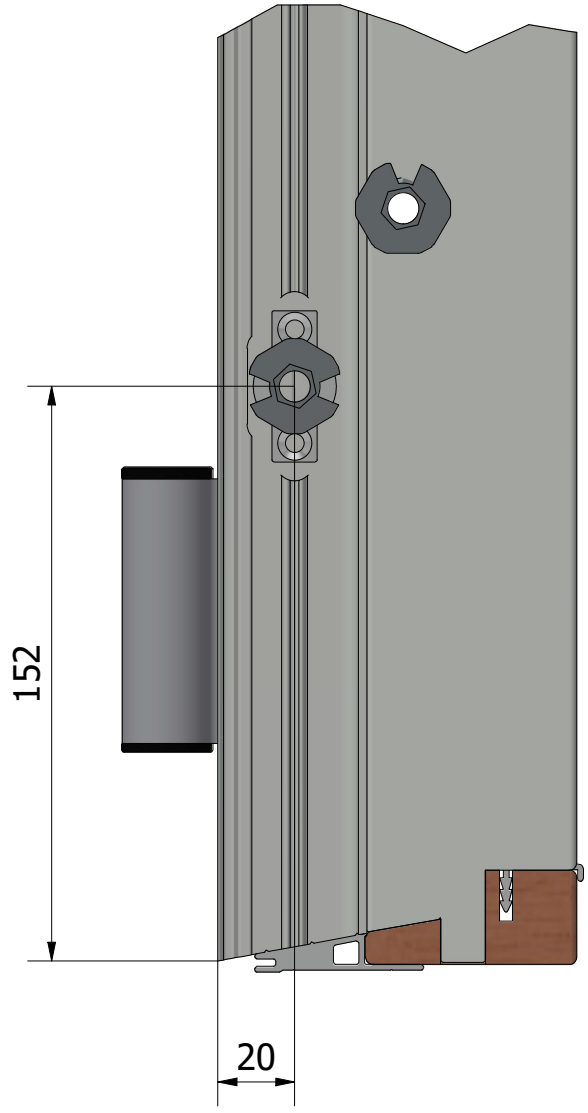
Fitting in the aluminium
frame only on hinge side
(1 : 1)

Revision no.		Revision description		
General tolerances		Product name		Created by
ISO 2768-1, m				ThomasN
Sheet size		Scale	Page	Creation date
A3		1 : 10	4	2022-06-03
Description		Fitting holes in door products		
File name		Drawing no.		
MP-INFAST22_222.dwg		MP-INFAST22_221		



Additional fitting points in the aluminium profile on the hinge side

Fitting points location in the aluminium frame on the hinge side (1 : 2)



Fitting holes in the wood profile

Width ≥ 1200
additional fitting hole in the threshold.

Otherwise no fitting holes in the threshold.

Revision no.		Revision description	
General tolerances ISO 2768-1, m		Product name	Created by ThomasN
Sheet size A3	Scale 1 : 10	Page 5	Creation date 2022-06-03
Description Placement of fitting holes around door frames		File name MP-INFAST22_222.dwg	Drawing no. MP-INFAST22_221