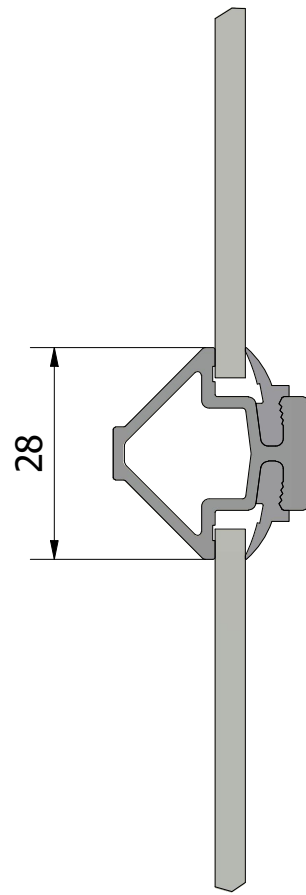
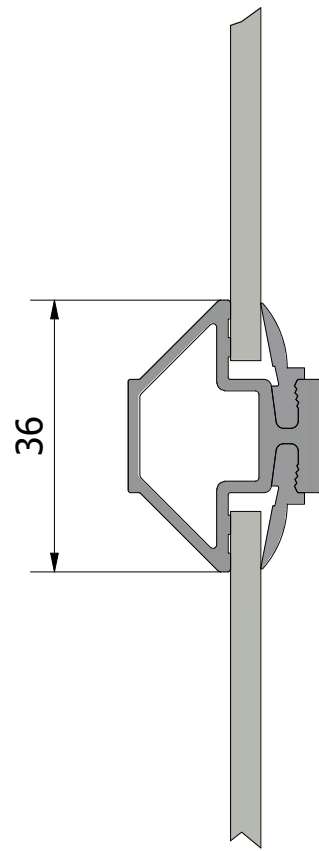


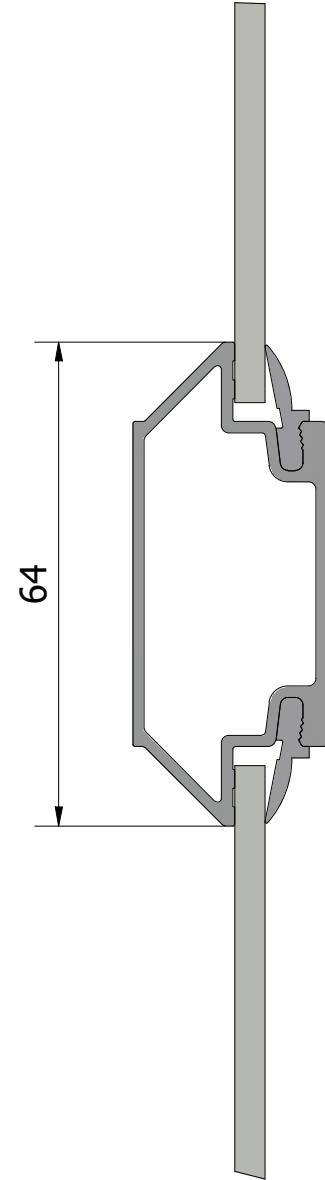
Epok
28 mm



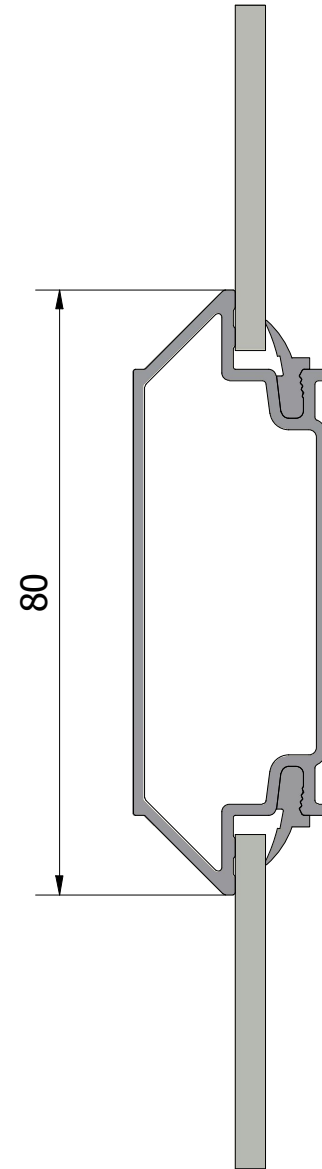
Epok
36 mm



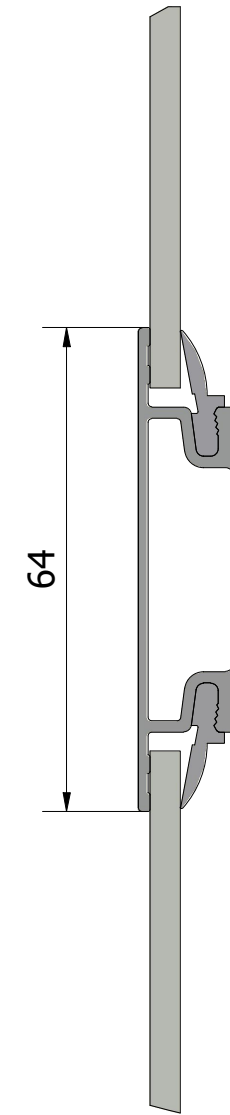
Epok
64 mm



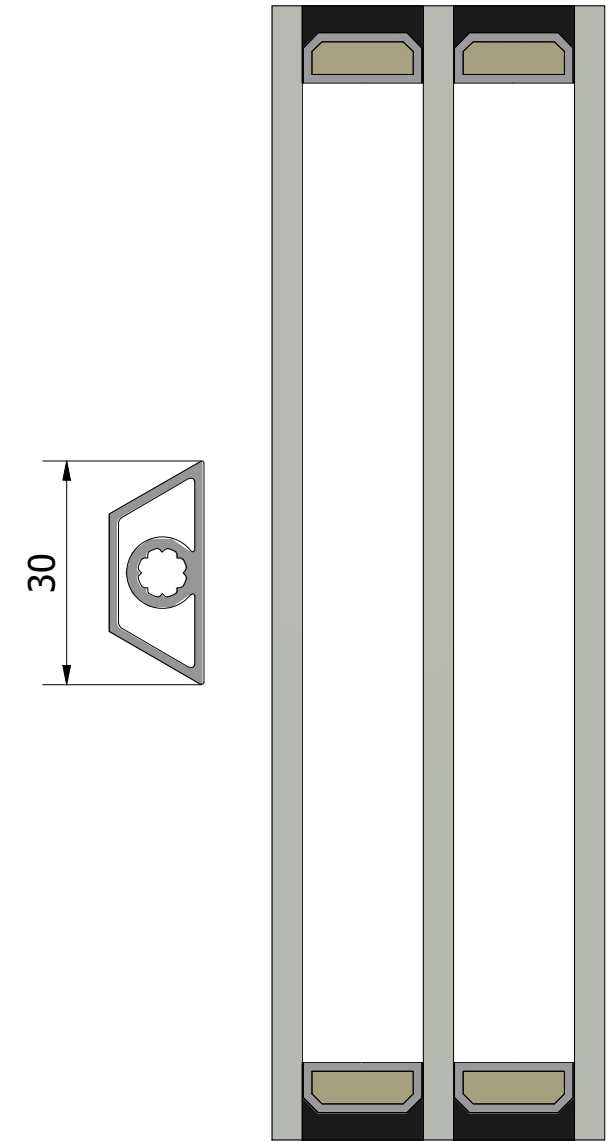
Epok
80 mm



Stil
64 mm

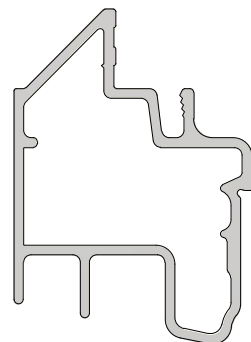


Detachable
30 mm

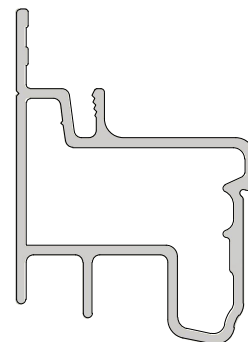


The profile of the outer sash determines the muntin bar profile.
Epok muntin bar fits the Epok outer sash etc..

Epok outer sash



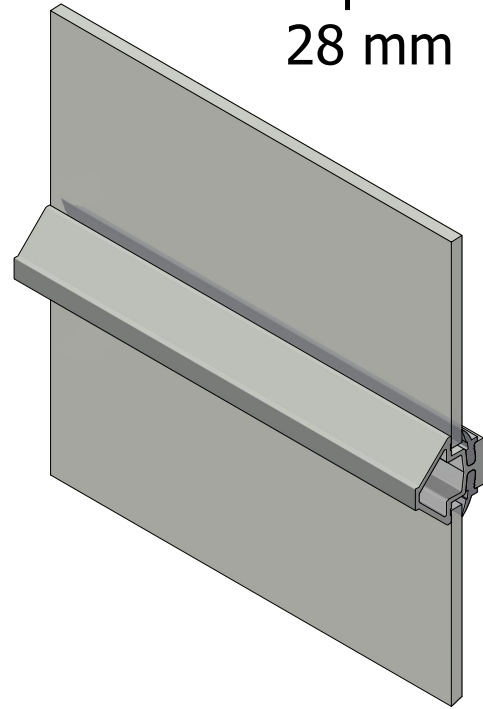
Stil outer sash



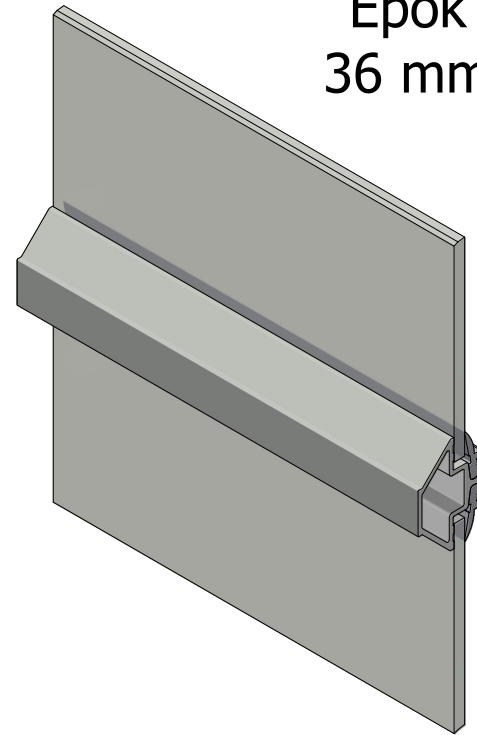
Detachable muntin bars are used in products without proper outer sashes. For example triple glazed windows or fixed frames.

Revision no.		Revision description			
General tolerances ISO 2768-1, m			Product name		Created by thomasn
Sheet size A3			Scale 1 : 1	Page 1	Creation date 2025-03-19
Description LEIAB muntin bar profile			File name MP-SPROJSWS_250.dwg		
View placement 			Drawing no. MP-SPROJSWS_250		

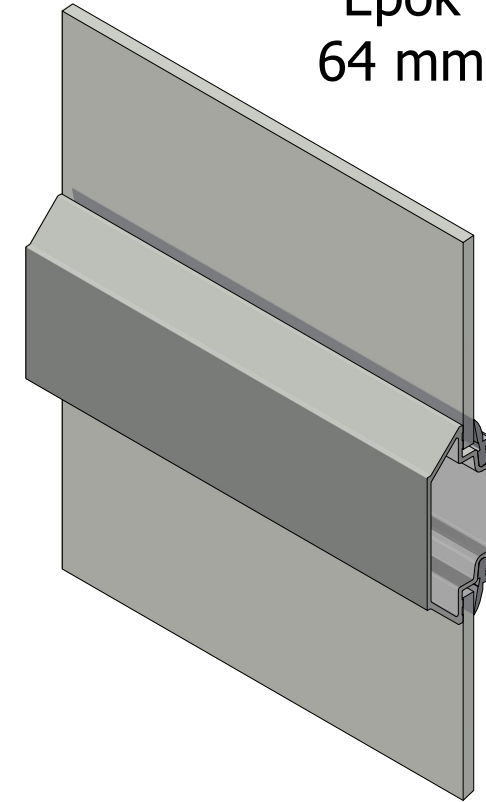
Epok
28 mm



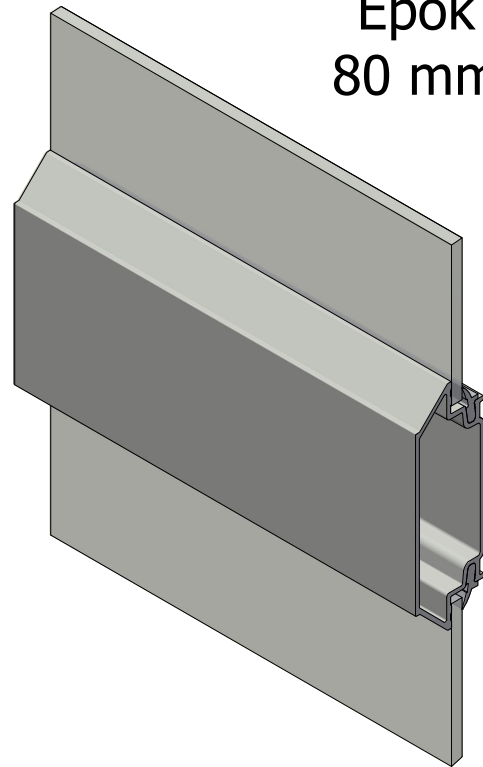
Epok
36 mm



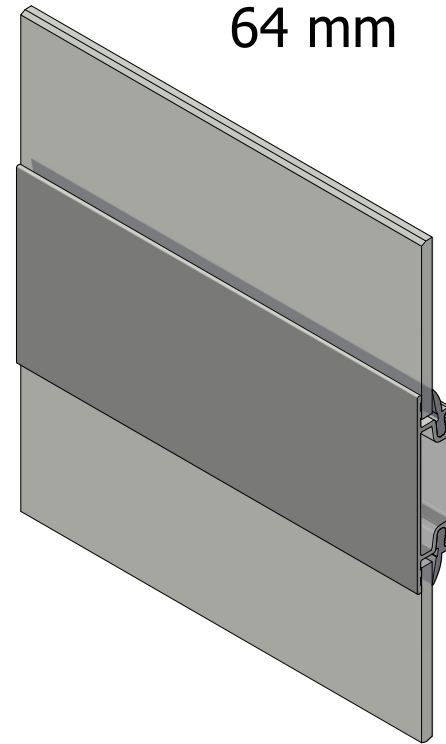
Epok
64 mm



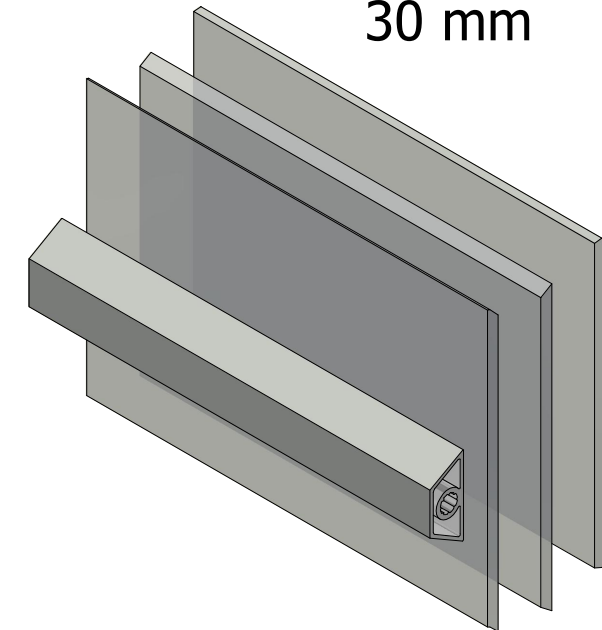
Epok
80 mm


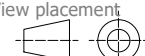


Stil
64 mm



Detachable
30 mm



Revision no.		Revision description		
General tolerances ISO 2768-1, m		Product name		Created by thomasn
Sheet size A3	Scale 1 : 1	Page 2	Description LEIAB muntin bar profile	
		View placement 	File name MP-SPROJSWS_250.dwg	Drawing no. MP-SPROJSWS_250
				Creation date 2025-03-19